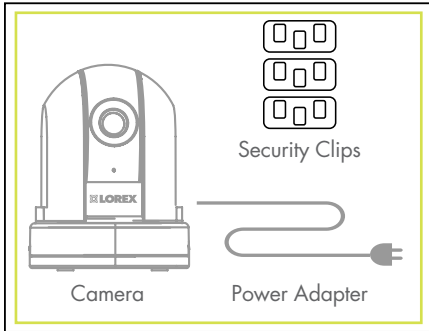


LW2451AC1 ADD-ON CAMERA

Quick Start Guide



Contents:



TIP

Before you install the camera, carefully plan where and how it will be positioned, and where you will route the cable that connects the camera to the power adaptor.

Avoid installing in a location which requires the wireless signal to pass through cement, concrete and metal structures. This will reduce the transmission range.

Powering the Camera

1. Connect the Power Adaptor to the 5V Input on the back of the camera.
2. Connect the power adaptor to a power outlet.
3. Slide the power switch to the **ON** position.

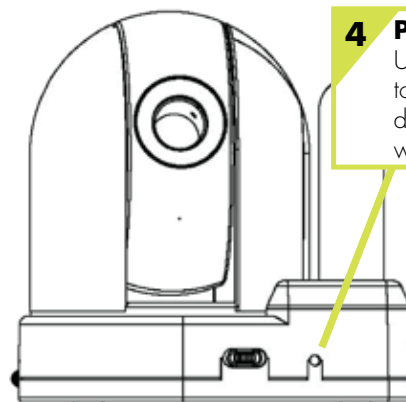
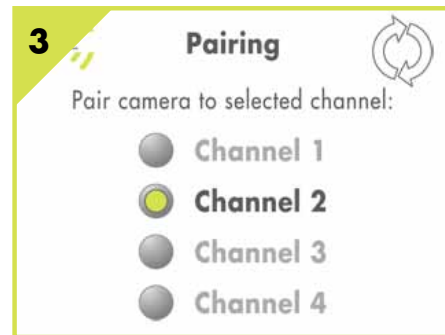


NOTE:

- Only use the included power adapter to power the camera(s).

Pairing the Camera

- 1 Place the camera and video monitor 12 inches apart. Turn on the camera first and then the video monitor.
- 2 Press the **Menu** button on the monitor, then select Pairing and press the **OK** button.
- 3 Select an available channel, and press the **OK** button.
NOTE: By default, the camera included with the system is paired to channel 1.
- 4 Use a pen or paperclip to press the **Pair** button on the side of the camera within 30 seconds. You should immediately see video from the camera on the video monitor.



4 Pair Button
Use a pen or paper clip to press the Pair button during the pairing process with the video monitor.

NOTE:

- To pair multiple cameras, repeat steps 2~4, selecting a different channel in the pairing menu.
- You can add a maximum of four (4) wireless cameras to the video monitor.